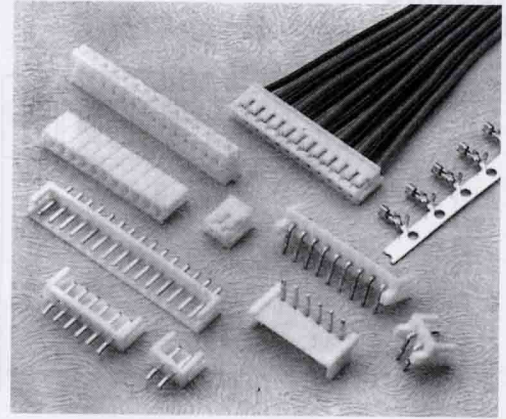


0.098" (2.50 mm) Pitch Disconnectable Connector

1131 Series

SPECIFICATION

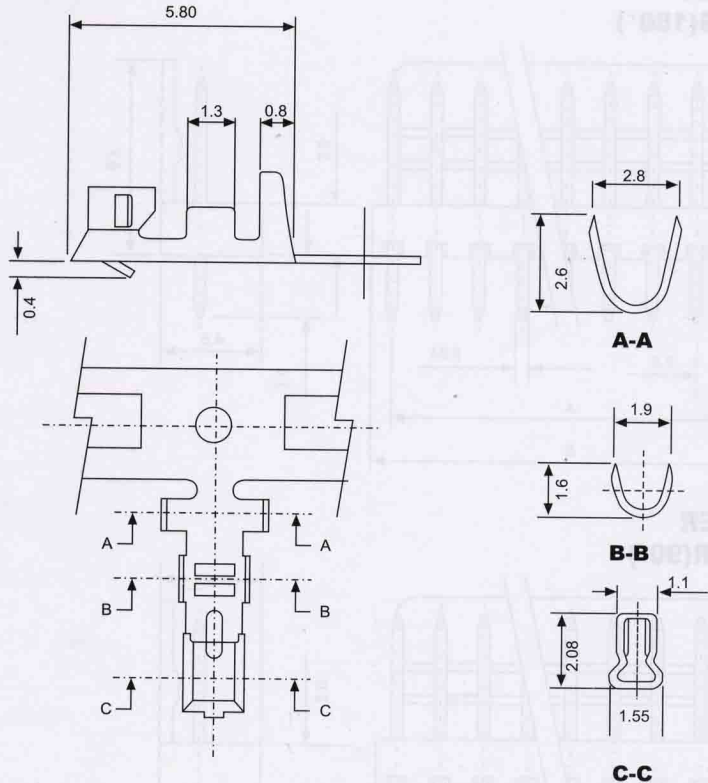
Poles:2-15
 Voltage rating: AC,DC 250V
 Current rating: AC,DC, 3A
 Withstand voltage:800V AC/min.
 Insulation resistance:1000M Ω /min.
 Temperature range:-25°C~ +85°C
 Applicable PC board thickness:0.031 " ~0.063 " (0.8~1.6mm)
 Contact resistance:Initial value/10m Ω max.
 After environmental testing/20m Ω max.



TERMINAL

Part No:1131T
 Applicable wires:AWG#22-28
 Material:Phos.Bronze(Brass)
 Finish:Tin/plated 40 μ " min.
 Hardness:H
 Thickness:0.2mm

TERMINAL 1131T



HOUSING

Part No:1131H
 Poles:2-15
 Material:Nylon 66, UL 94V-0 Natural

WAFER

Part No:1131S(180°) 1131R(90°)
 Poles:2-15
 Material:Post:Brass.Tin/plated
 Base: Nylon 66, UL 94V-0 Natural

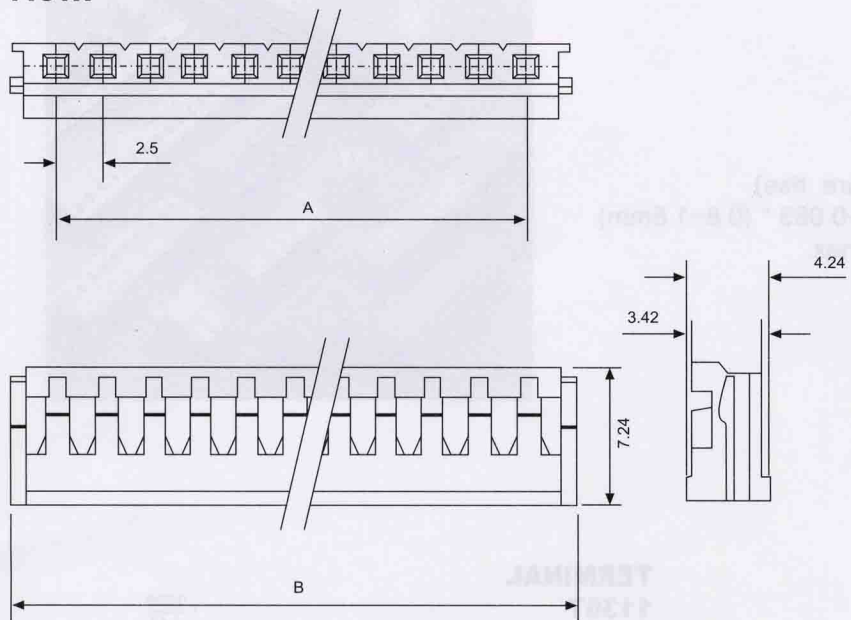
Dimension:mm

01	01	01	01	01	01	01	01	01	01
02	02	02	02	02	02	02	02	02	02
03	03	03	03	03	03	03	03	03	03
04	04	04	04	04	04	04	04	04	04
05	05	05	05	05	05	05	05	05	05
06	06	06	06	06	06	06	06	06	06
07	07	07	07	07	07	07	07	07	07
08	08	08	08	08	08	08	08	08	08
09	09	09	09	09	09	09	09	09	09
10	10	10	10	10	10	10	10	10	10
11	11	11	11	11	11	11	11	11	11
12	12	12	12	12	12	12	12	12	12
13	13	13	13	13	13	13	13	13	13
14	14	14	14	14	14	14	14	14	14
15	15	15	15	15	15	15	15	15	15
16	16	16	16	16	16	16	16	16	16
17	17	17	17	17	17	17	17	17	17
18	18	18	18	18	18	18	18	18	18
19	19	19	19	19	19	19	19	19	19
20	20	20	20	20	20	20	20	20	20

0.098" (2.50 mm) Pitch Disconnectable Connector

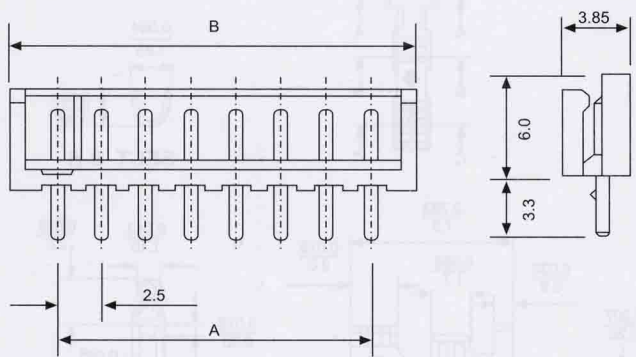
1131 Series

HOUSING 1131H



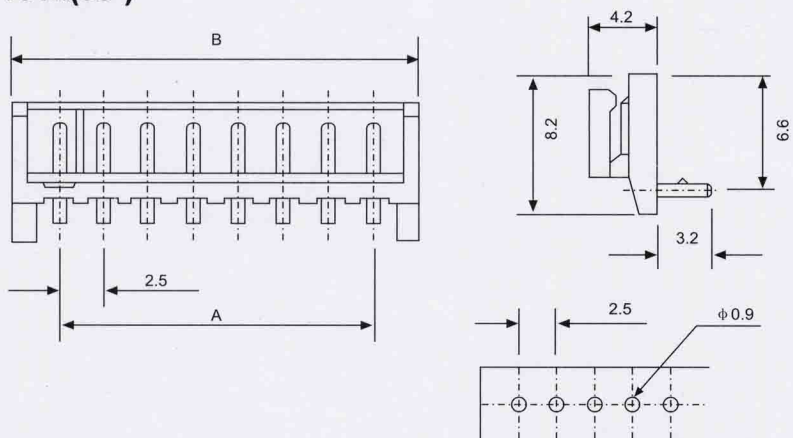
Poles	PART NO.	Dimension in.(mm)	
		A	B
2	1131H-2P	2.50	7.00
3	1131H-3P	5.00	9.50
4	1131H-4P	7.50	12.00
5	1131H-5P	10.00	14.50
6	1131H-6P	12.50	17.00
7	1131H-7P	15.00	19.50
8	1131H-8P	17.50	22.00
9	1131H-9P	20.00	24.50
10	1131H-10P	22.50	27.00
11	1131H-11P	25.00	29.50
12	1131H-12P	27.50	32.00
13	1131H-13P	30.00	34.50
14	1131H-14P	32.50	37.00
15	1131H-15P	35.00	39.50

WAFER 1131S(180°)



Circuits	PART NO.		Dimension in.(mm)	
	Straight Angle	Right Angle	A	B
2	1131S-2P	1131R-2P	2.50	7.50
3	1131S-3P	1131R-3P	5.00	10.00
4	1131S-4P	1131R-4P	7.50	12.50
5	1131S-5P	1131R-5P	10.00	15.00
6	1131S-6P	1131R-6P	12.50	17.50
7	1131S-7P	1131R-7P	15.00	20.00
8	1131S-8P	1131R-8P	17.50	22.50
9	1131S-9P	1131R-9P	20.00	25.00
10	1131S-10P	1131R-10P	22.50	27.50
11	1131S-11P	1131R-11P	25.00	30.00
12	1131S-12P	1131R-12P	27.50	32.50
13	1131S-13P	1131R-13P	30.00	35.00
14	1131S-14P	1131R-14P	32.50	37.50
15	1131S-15P	1131R-15P	35.00	40.00

WAFER 1131R(90°)



P.C.B LAYOUT