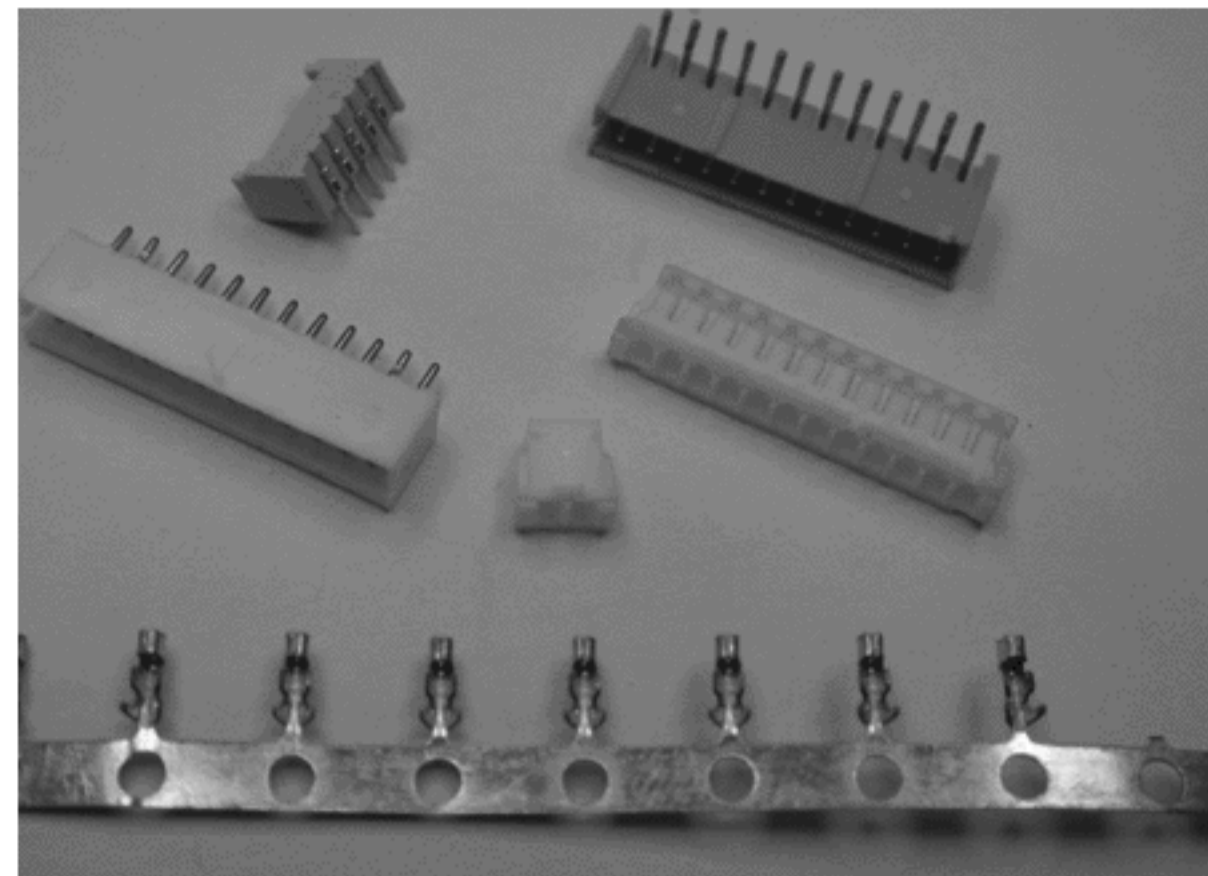


0.059" (1.50mm) Pitch Disconnectable Connector

1150 Series

SPECIFICATION

Voltage rating: AC,DC 100V
Current rating: AC,DC 1A
Withstand voltage:800V AC/min
Insulation resistance:1000M Ω /min
Temperature range:-25°C~ +85°C
Applicable P.C.B thickness:0.8mm
Applicable P.C.B. Hole dia:0.5mm \pm 0.05



TERMINAL

Part No:1150T
Applicable wires:AWG#28-32
Material:Phos.Bronze
Plating:Tin plated 60 μ "
Insulation O.D:1.0mm(max)
Thickness:0.15mm

HOUSING

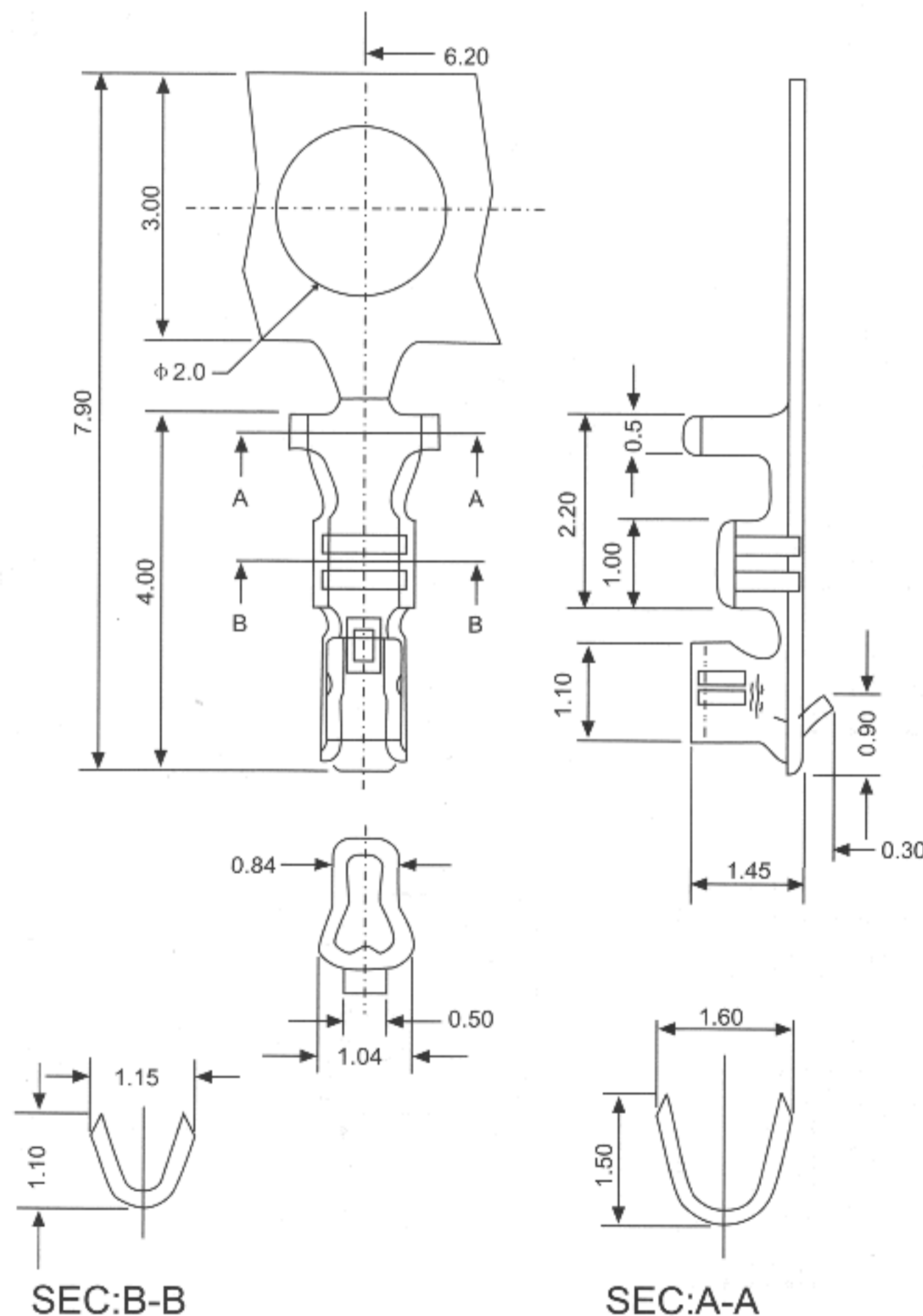
Part No:1150H
Poles:2-15
Material:Nylon 66,UL 94V-0
Pitch:1.25mm(0.049)

WAFER

Part No:1150R(90°)
1150S(180°)
Poles:2-15
Material:Post:Brass.Tin/plated
Base:Nylon66 UL 94V-0
Pitch:1.50mm(0.059")

Dimension:mm

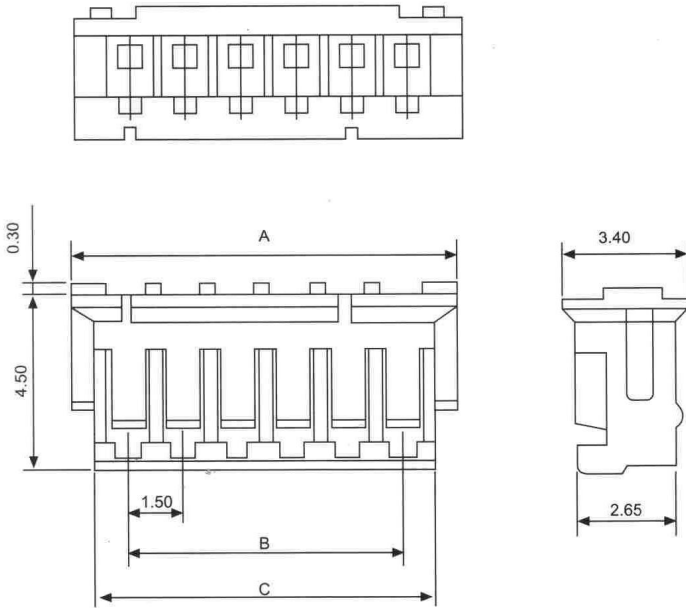
TERMINAL 1150T



0.059" (1.50mm) Pitch Disconnectable Connector

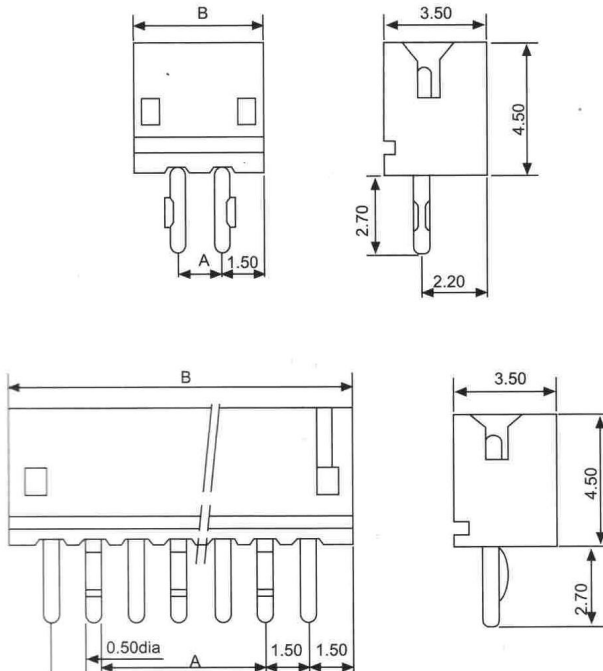
1150 Series

HOUSING 1150H



POLES	PART NO.	DIMENSION IN.(MM)		
		A	B	C
2	1150H-2P	4.5	1.5	3.3
3	1150H-3P	6.0	3.0	4.8
4	1150H-4P	7.5	4.5	6.3
5	1150H-5P	9.0	6.0	7.8
6	1150H-6P	10.5	7.5	9.3
7	1150H-7P	12.0	9.0	10.8
8	1150H-8P	13.5	10.5	12.3
9	1150H-9P	15.0	12.0	13.8
10	1150H-10P	16.5	13.5	15.3
11	1150H-11P	18.0	15.0	16.8
12	1150H-12P	19.5	16.5	18.3
13	1150H-13P	21.0	18.0	19.8

WAFER 1150S(180°)



POLES	PART NO.	DIMENSION IN.(MM)	
		A	B
2	1150S-2P	1.5	4.5
3	1150S-3P	3.0	6.0
4	1150S-4P	4.5	7.5
5	1150S-5P	6.0	9.0
6	1150S-6P	7.5	10.5
7	1150S-7P	9.0	12.0
8	1150S-8P	10.5	13.5
9	1150S-9P	12.0	15.0
10	1150S-10P	13.5	16.5
11	1150S-11P	15.0	18.0
12	1150S-12P	16.5	19.5
13	1150S-13P	18.0	21.0

0.059" (1.50mm) Pitch Wire to Board Connector SMT TYPE

1150 Series

Features:

Insulator: Nylon66 UL94V-0

Contact: Brass

Finish: Tin Plated

Specifications:

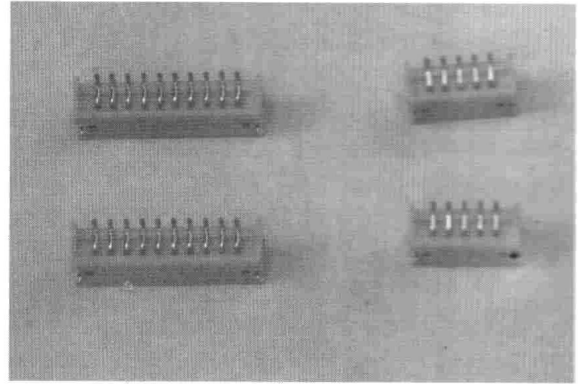
Voltage rating: AC.DC.250V

Current rating: AC.DC.2A

Withstand Voltage: 800V.AC/min

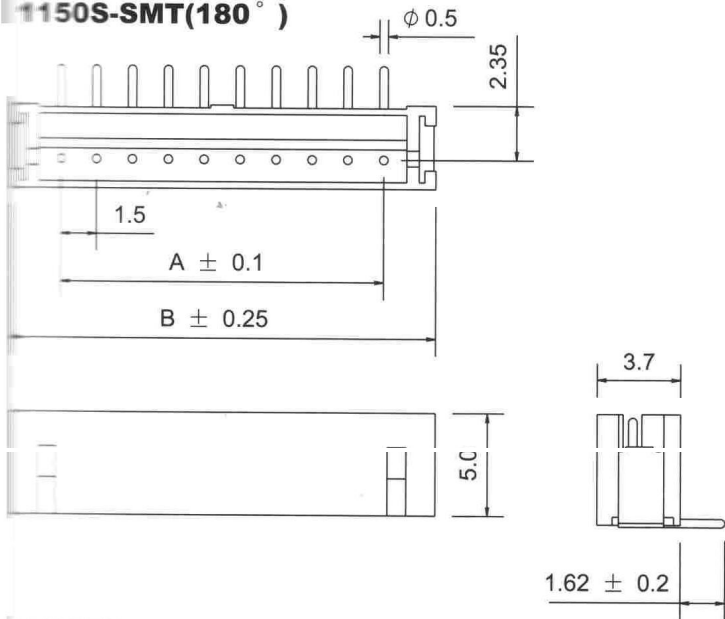
Insulation resistance: 1000M Ω min

Temperature range: -25°C — +85°C



WAFER

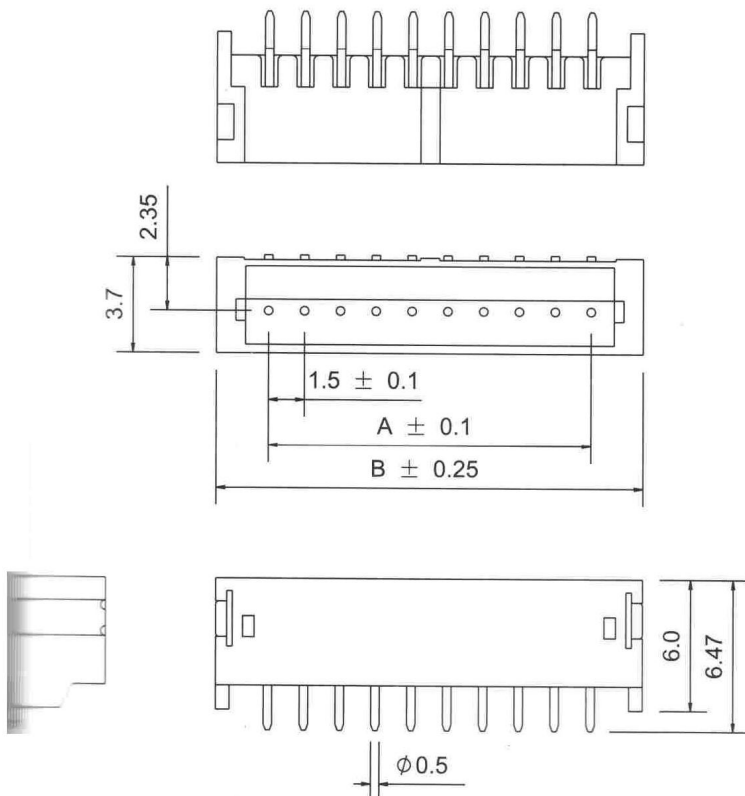
1150S-SMT(180°)



Circuits	Dim.A	Dim.B
2	1.5	6.0
3	3.0	7.5
4	4.5	9.0
5	6.0	10.5
6	7.5	12.0
7	9.0	13.5
8	10.5	15.0
9	12.0	16.5
10	13.5	18.0
11	15.0	19.5
12	16.5	21.0
13	18.0	22.5

WAFER

1150R-SMT(90°)



Circuits	Dim.A	Dim.B
2	1.5	6.0
3	3.0	7.5
4	4.5	9.0
5	6.0	10.5
6	7.5	12.0
7	9.0	13.5
8	10.5	15.0
9	12.0	16.5
10	13.5	18.0
11	15.0	19.5
12	16.5	21.0
13	18.0	22.5