

# 0.100" (2.54 mm) Pitch Center Crimp Connector(CD-Rom)

CD Series

## SPECIFICATION

Poles:2-12P  
 Material:PBT+30% Glass Fiber (UL 94V-0)  
 Current rating:3A,AC,DC  
 Voltage Rating:AC 250V,DC 350V  
 Temperature range:-25°C~ +85°C  
 Contact Resistance:Initial value/10mΩ max.  
 After environmental testing/20mΩ max.

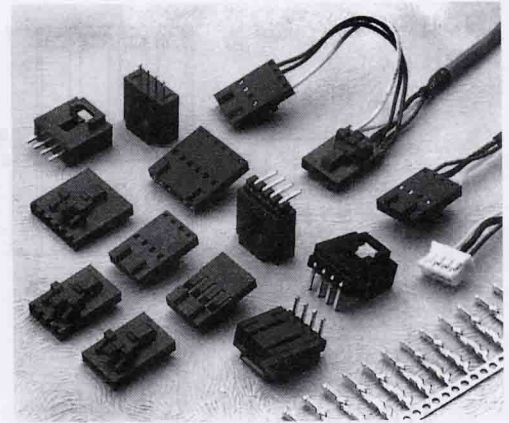
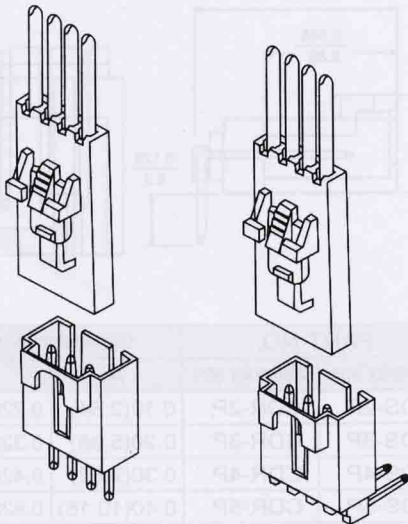
## HOUSING

Part No:CDH  
 Descript No:2.54mm Pitch Housing  
 Poles:2-12P  
 Material:P.B.T.+30% Glass Fiber (UL 94V-0)

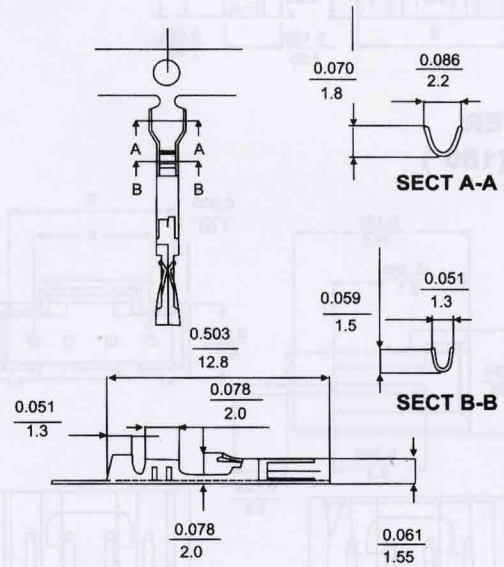
## WAFER

Part No:CDS(180°)  
 CDR(90°)  
 Poles:2-12  
 Material:Post:Brass,Tin/plated  
 Gold-Flash  
 Base:PBT+30% Glass Fiber (UL 94V-0)

Dimension:  $\frac{\text{Inch}}{\text{mm}}$



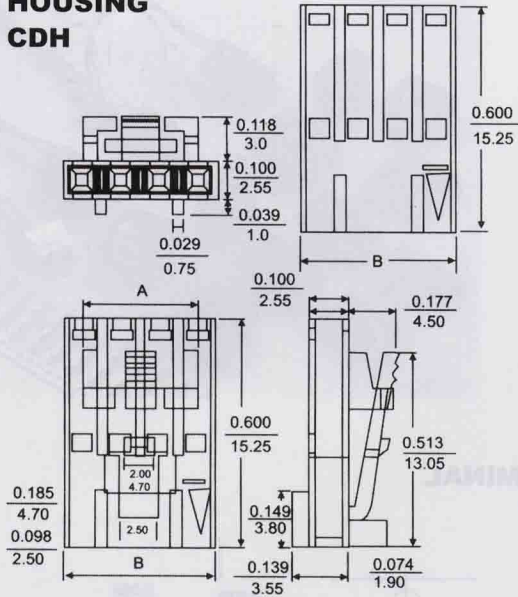
## TERMINAL CDT



# 0.100" (2.54 mm) Pitch Center Crimp Connector(CD-Rom)

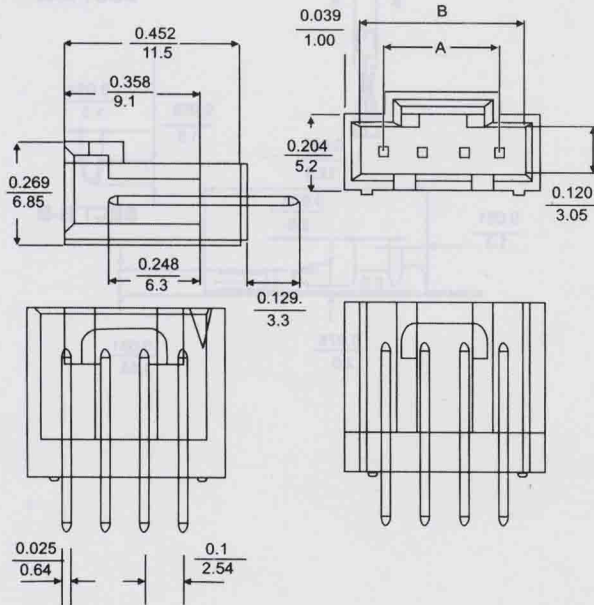
CD Series

## HOUSING CDH

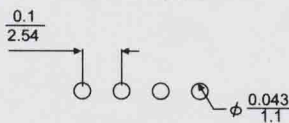


POLES	PART NO.	Dimension in.(mm)	
		A	B
2	CDH-2P	0.10(2.54)	0.199(5.05)
3	CDH-3P	0.20(5.08)	0.299(7.59)
4	CDH-4P	0.30(7.62)	0.406(10.31)
5	CDH-5P	0.40(10.16)	0.499(12.67)
6	CDH-6P	0.50(12.70)	0.599(15.21)
7	CDH-7P	0.60(15.24)	0.699(17.75)
8	CDH-8P	0.70(17.78)	0.799(20.29)
9	CDH-9P	0.80(20.32)	0.899(22.83)
10	CDH-10P	0.90(22.86)	0.999(25.37)
11	CDH-11P	1.00(25.40)	1.099(27.91)
12	CDH-12P	1.10(27.94)	1.199(30.45)

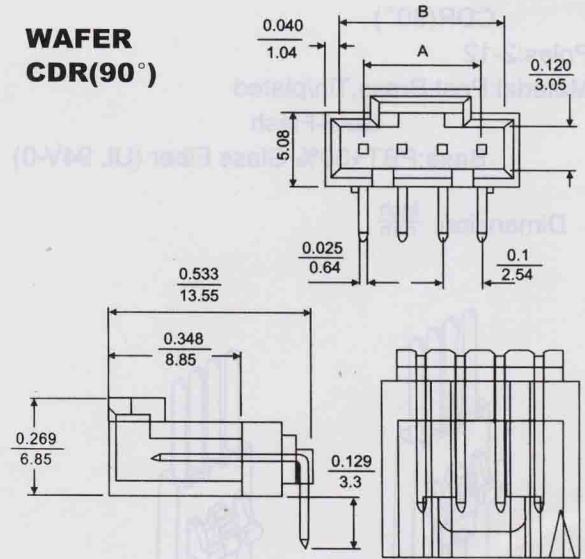
## WAFER CDS(180°)



## PCB LAYOUT



## WAFER CDR(90°)



POLES	PART NO.		Dimension in.(mm)	
	Top entry type	Side entry type	A	B
2	CDS-2P	CDR-2P	0.10(2.54)	0.220(5.33)
3	CDS-3P	CDR-3P	0.20(5.08)	0.320(8.13)
4	CDS-4P	CDR-4P	0.30(7.62)	0.420(10.67)
5	CDS-5P	CDR-5P	0.40(10.16)	0.520(13.21)
6	CDS-6P	CDR-6P	0.50(12.70)	0.620(15.75)
7	CDS-7P	CDR-7P	0.60(15.24)	0.720(18.29)
8	CDS-8P	CDR-8P	0.70(17.78)	0.820(20.83)
9	CDS-9P	CDR-9P	0.80(20.32)	0.920(23.37)
10	CDS-10P	CDR-10P	0.90(22.86)	1.020(25.91)
11	CDS-11P	CDR-11P	1.00(25.40)	1.120(28.45)
12	CDS-12P	CDR-12P	1.10(27.94)	1.220(30.99)