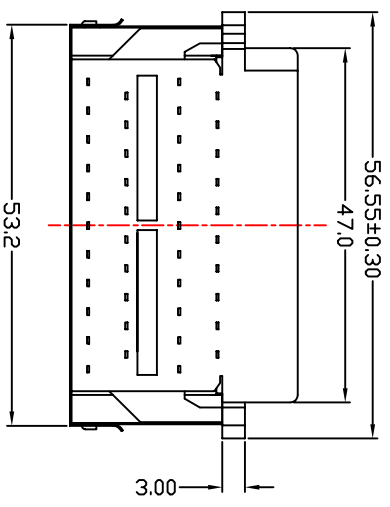
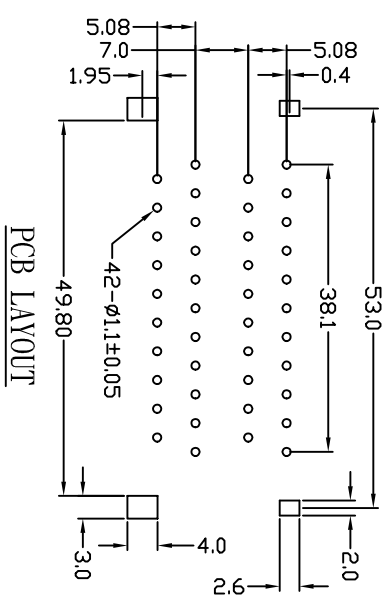
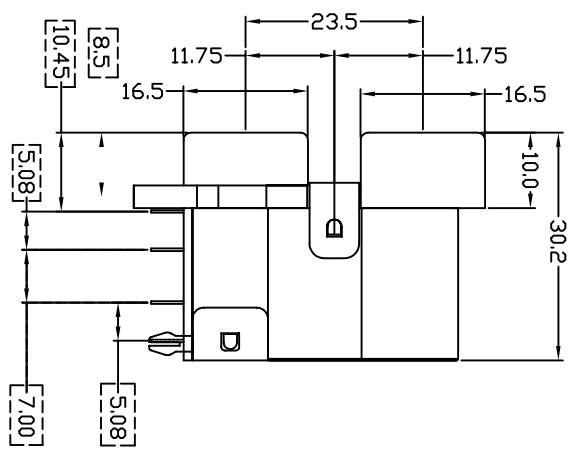
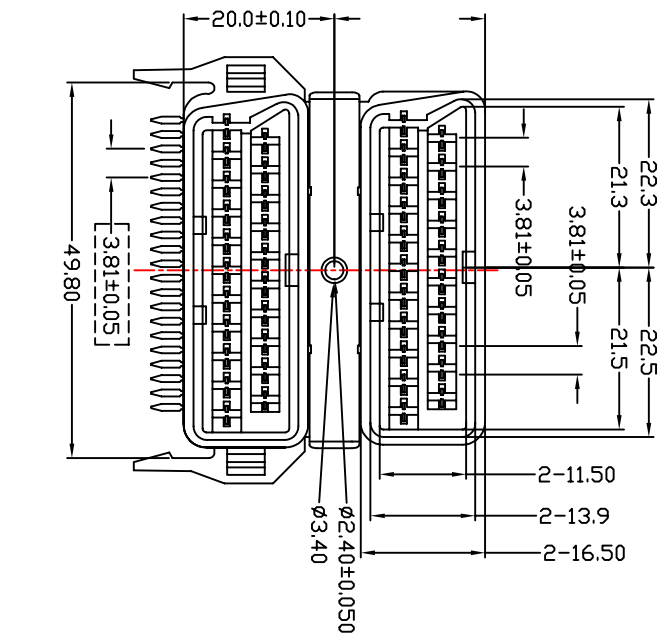


REV.	NOTES	DATE
A	RELEASED	2007/02/10



NOTES:

1. MATERIAL

- 1.1 Insulator:PC
- 1.2 Contact:Brass
- 1.3 Contact Plated:Tin Plated
- 1.4 Shield coat:SPCC

2. SPECIFICATION

- 2.1 Current Rate:1 Amps
- 2.2 Insulator Resistance:5000M Ohms Min. at 500V DC
- 2.3 Dielectric Strength:1000V Per minute
- 2.4 Operation Temperature:-55°C to+105°C

備注:
重點尺寸標示: [X X]

DIMENSIONS TOLERANCE		圖名 (NAME)	
METRIC		90度雙層母座B型 (加鐵殼)連體式無MARK(23.5)	
.0= ± .30	單位 (UNITS)	料號 (PART NUMBER)	ASC+0501-4GS2
.00= ± .20	數量 (QTY)	圖號 (DRAW NUMBER)	RASC05014GS2
.000= ± .XXX	材料 (MTR'L)	圖檔 (FILE NAME .DWG)	E:GCT/A/SC/05
ANG. = ± 2°	處理 (FINISH)	比例 (SCALE)	1/1
	繪圖 (DRAW)	圖紙 (SHEET)	A4
	設計 (DE'N)	頁次 (SHEET)	1
	審核 (CHK)	版本 (REV.)	A
	核准 (APP'D)		