

# 0.079" (2.00mm) Pitch Center Crimp Connector

1125 Series

## SPECIFICATIONS

Poles: 2-18  
 Voltage rating: AC, DC 250V  
 Current rating: AC, DC 2A  
 Withstand voltage: 800V AC/min.  
 Insulation resistance: 1000M  $\Omega$  /min.  
 Temperature range: -25°C ~ +85°C

## TERMINAL

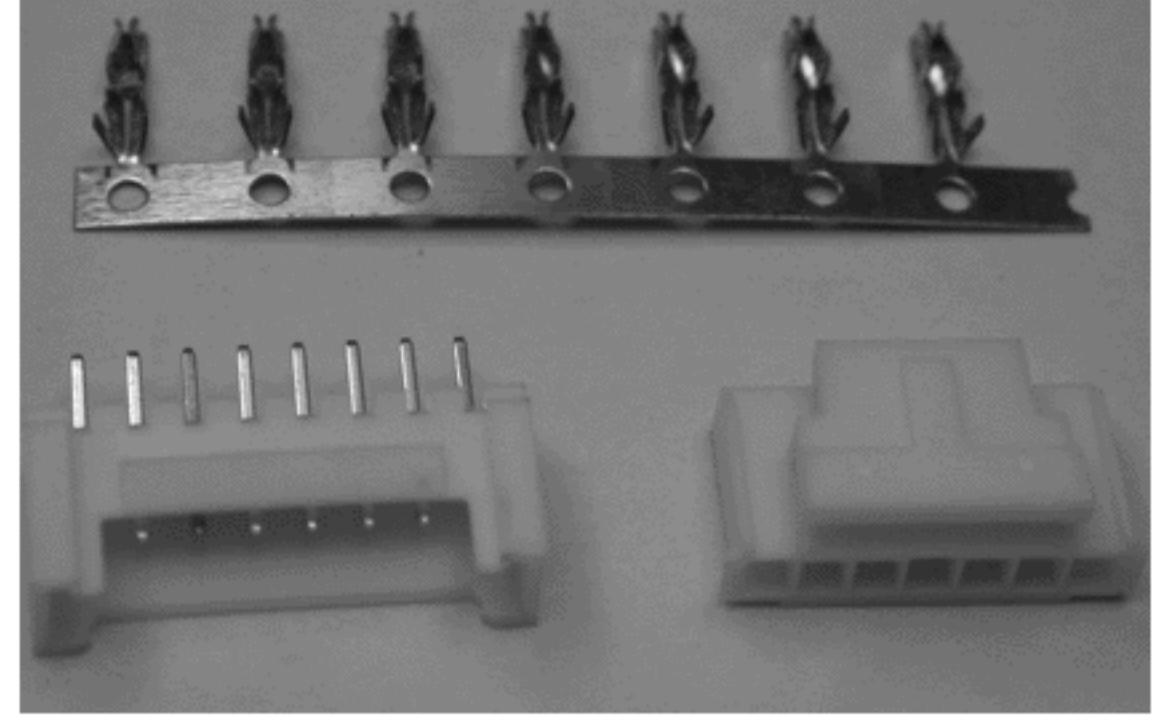
Part No: 1125T  
 Applicable wires: AWG#22-#28  
 Material: Phos. Bronze  
 Finish: Tin-plated  
 Insulation OD: 1.4mm  
 Thickness: 0.2mm

## HOUSING

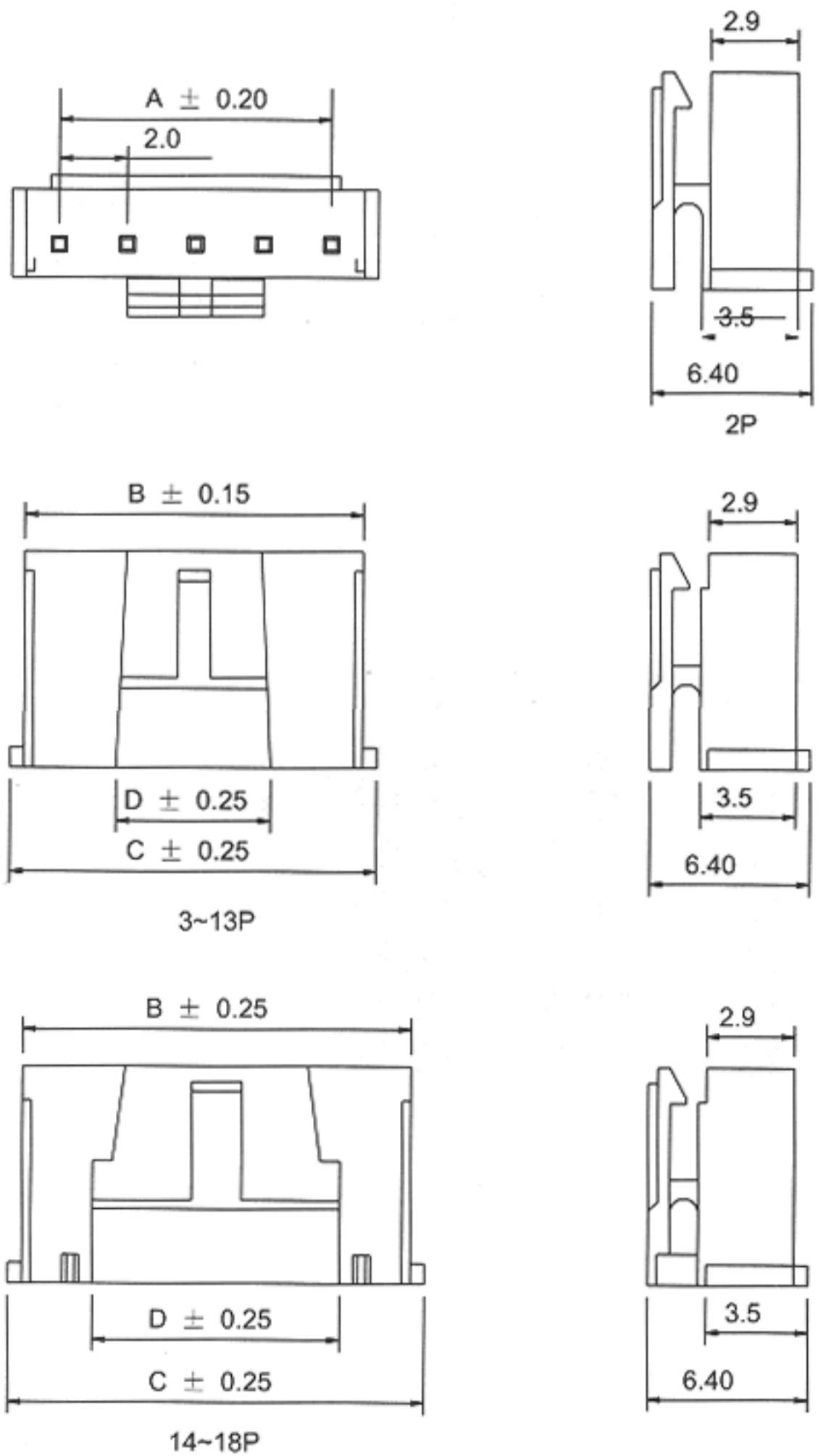
Part No: 1125H  
 Poles: 2-18  
 Material: Nylon 66, UL 94V-0

## WAFER

Part No: 1125S(180°)  
 Poles: 2-15  
 Material: Post: Brass, Tin-plated  
 Base: Nylon 66, UL 94V-0



## HOUSING 1125H

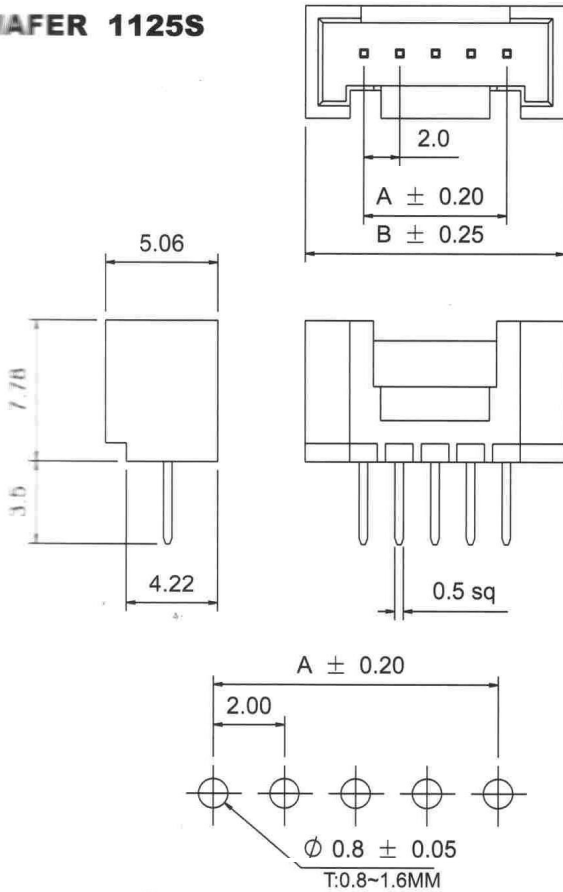


Circuits	Dim.A	Dim.B	Dim.C	Dim.D
2	2.0	4.6	5.6	3.2
3	4.0	6.6	7.6	3.9
4	6.0	8.6	9.6	3.9
5	8.0	10.6	11.6	6.38
6	10.0	12.6	13.6	8.38
7	12.0	14.6	15.6	10.38
8	14.0	16.6	17.6	12.38
9	16.0	18.6	19.6	14.38
10	18.0	20.6	21.6	14.38
11	20.0	22.6	23.6	16.16
12	22.0	24.6	25.6	16.16
13	24.0	26.6	27.6	16.16
14	26.0	28.6	29.6	16.16
15	28.0	30.6	31.6	16.16
16	30.0	32.6	33.6	16.16
17	32.0	34.6	35.6	16.16
18	34.0	36.6	37.6	16.16

# 0.079" (2.00mm) Pitch Center Crimp Connector

1125 Series

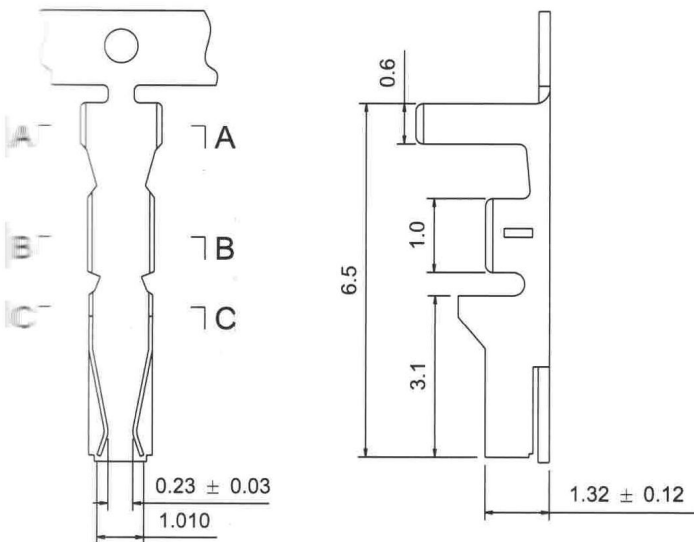
## WAFER 1125S



P.C.B.LAYOUT

Circuits	Dim.A	Dim.B
3	4.0	8.0
4	6.0	10.0
5	8.0	12.0
6	10.0	14.0
7	12.0	16.0
8	14.0	18.0
9	16.0	20.0
10	18.0	22.0
11	20.0	24.0
12	22.0	25.0
13	24.0	26.0
14	26.0	28.0
15	28.0	30.0

## TERMINAL 1125T



Wire Gauge	Insulation OD.	Thickness	Material/Finish
#22~#28	1.4	0.20	Phosphor Bronze Tin-Plated

