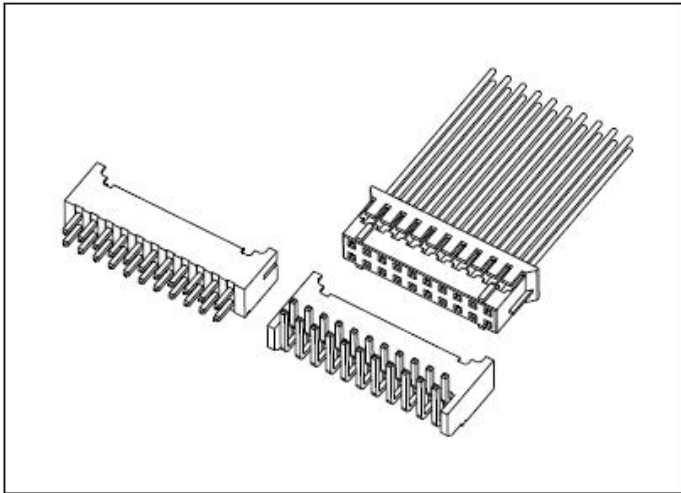


2.0mm Wire to Board Wafer & Wire Harness Assembly

2005 Series (2417 / 2418)

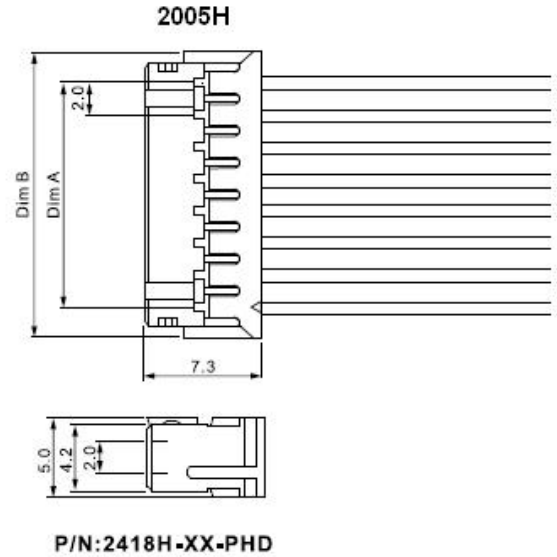
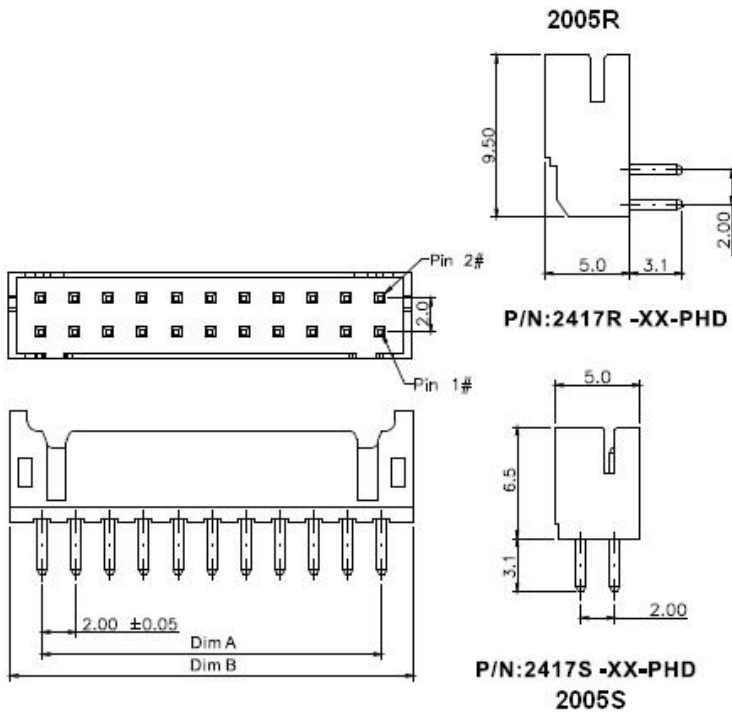


■ Specifications

Current rating: 2.0A AC/DC
 Voltage rating: 125V AC/DC
 Contact resistance: 20m ohm. max.
 Insulation resistance: 1000M ohm. Min.
 Withstanding voltage: 500V AC for one minute
 Operating temperature range: -40°C to +85°C

■ Material and Finish

Insulator: High Temp. Plastic (UL94V-0)
 Contact: Copper Alloy
 Plating: Tin Plated



■ Engineering Dimension

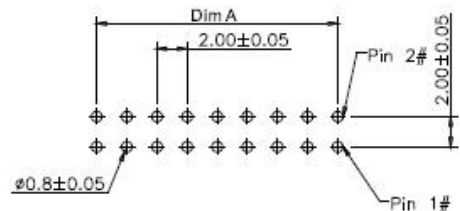
2005S (R)

Circuits	Dim. A	Dim. B
6	4,00	8,00
8	6,00	10,00
10	8,00	12,00
12	10,00	14,00
14	12,00	16,00
16	14,00	18,00
18	16,00	20,00

2005H

Circuits	Dim. A	Dim. B
6	4,00	8,00
8	6,00	10,00
10	8,00	12,00
12	10,00	14,00
14	12,00	16,00
16	14,00	18,00
18	16,00	20,00

■ Recommended PCB Layout



■ Ordering Information

2005 **S** — **XX** **P**
 ① ②

① S : Straight Type
 R : Right Angle Type

② No. Of Contacts

2005 **H** — **XX** **P**
 ① ②

① H : Housing

② No. Of Contacts

Unit:mm