

0.100" (2.54mm) Pitch Board TO Board

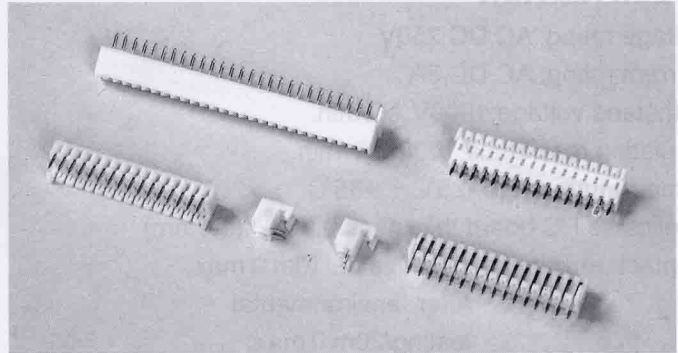
2224 Series

FEATURE:

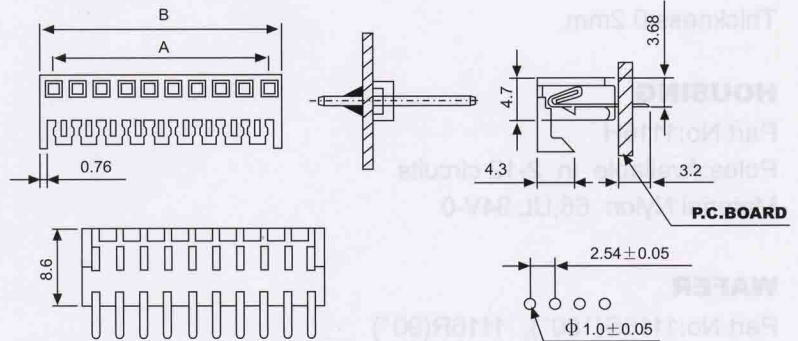
1. Mates With 0.64mm Pins
2. 3-12 Circuits Available
3. All The Brass Terminals Have Higher Pressure Cat-ear Contacts
4. Gold Or Tin Plated Terminals
5. Housing Material Nylon66 UL94V-0

SPECIFICATIONS

- Current Rating: 1A
 Dielectric Withstanding Voltage
 2400V/min
 Insulation Resistance: 1000MΩ min
 Operating Temperature: -40°C — +105°C

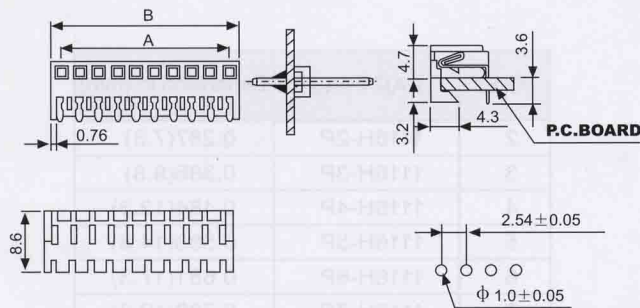


TERMINAL 2224S



A	2.5 OR 2.54X(X-1)
B	2.5 OR 2.54X(X-1)-2.44

TERMINAL 2224R



TERMINAL 2224BE

