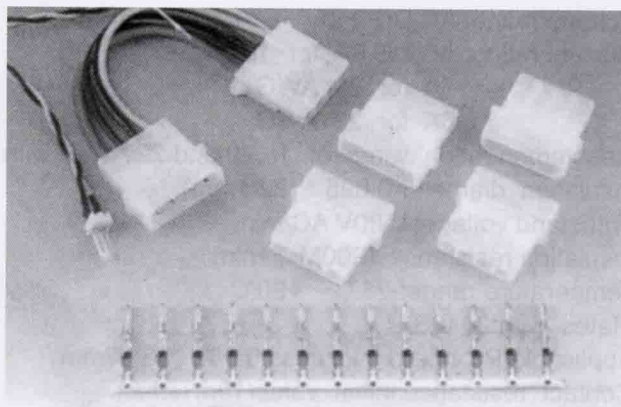


0.200" (5.08mm) Pitch Crimp Connector

2440 Series

SPECIFICATION

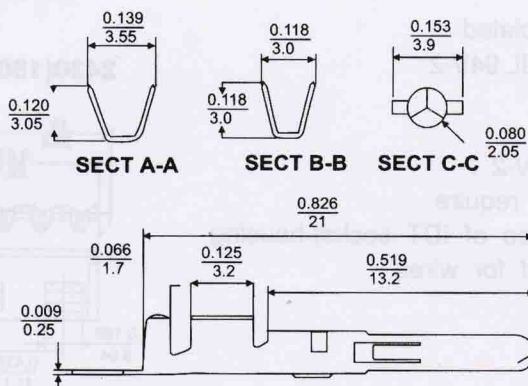
Poles:4 Circuits
 Voltage rating: AC,DC 250V
 Current rating: AC,DC,7A
 Withstand voltage:1500V AC/min.
 Insulation resistance:1000M Ω /min.
 Temperature range:-25°C~ +90°C
 Applicable PC board thickness:0.084 " (2.13mm)
 Terminal retention to housing-81bs(3.63kd)min
 Contact resistance:Initial value/10m Ω max.
 After environmental testing/20m Ω max.



TERMINAL

Part No:2440T
 Applicable wires:AWG#16-20
 Material:Brass
 Finish:Tin/plated
 Hardness:SH
 Thickness:0.25mm

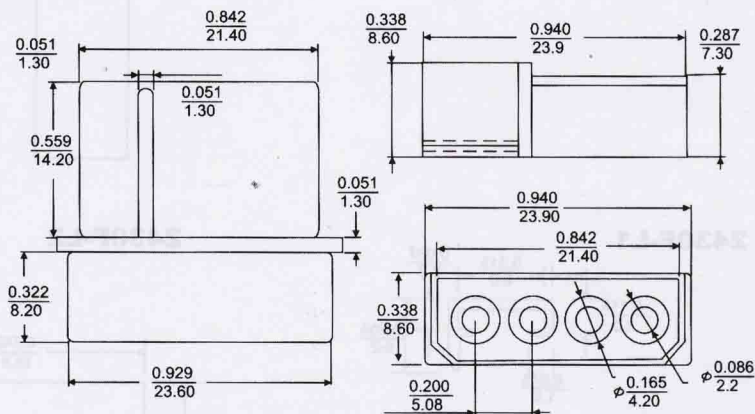
TERMINAL 2440T



HOUSING

Part No:2440H
 Poles:4 Circuits
 Material:Nylon 66, UL 94V-2

HOUSING 2440H



Dimension: $\frac{\text{Inch}}{\text{mm}}$